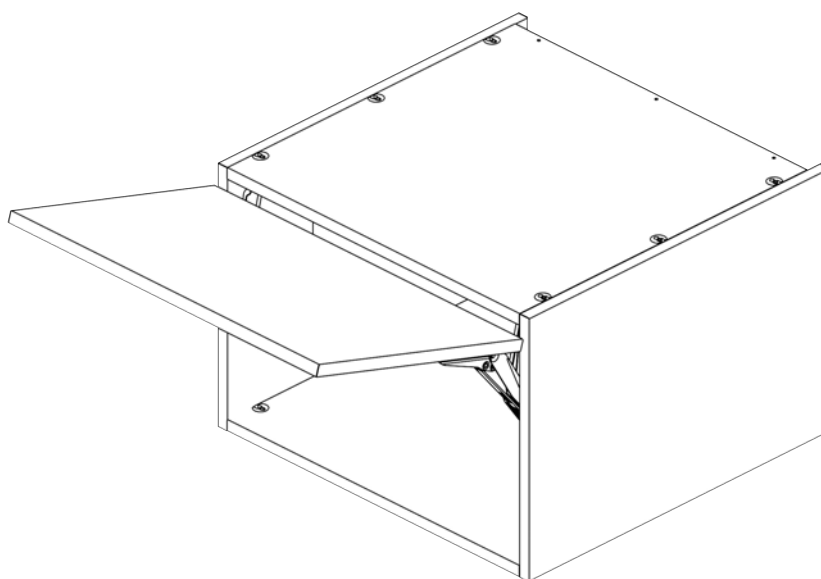




DIY Fitted Bedrooms Instructions Wall Hanging Unit



Parts and Tools:

**5mm Pin:**

5mm pins are used in conjunction with preinserted cams to secure panels together.

**Screwdriver:**

Ideally a PZ2 or Phillips this is used to tighten cams and, if not using power tools, to insert the pins and screws needed for assembly.

**Euro Screw:**

These small 5mm diameter screws are used to attach our drawer runners in the predetermined location for your drawer fronts.

**Drill (Optional):**

While not strictly required for assembly, we recommend using a cordless drill to speed up inserting pins and screws.

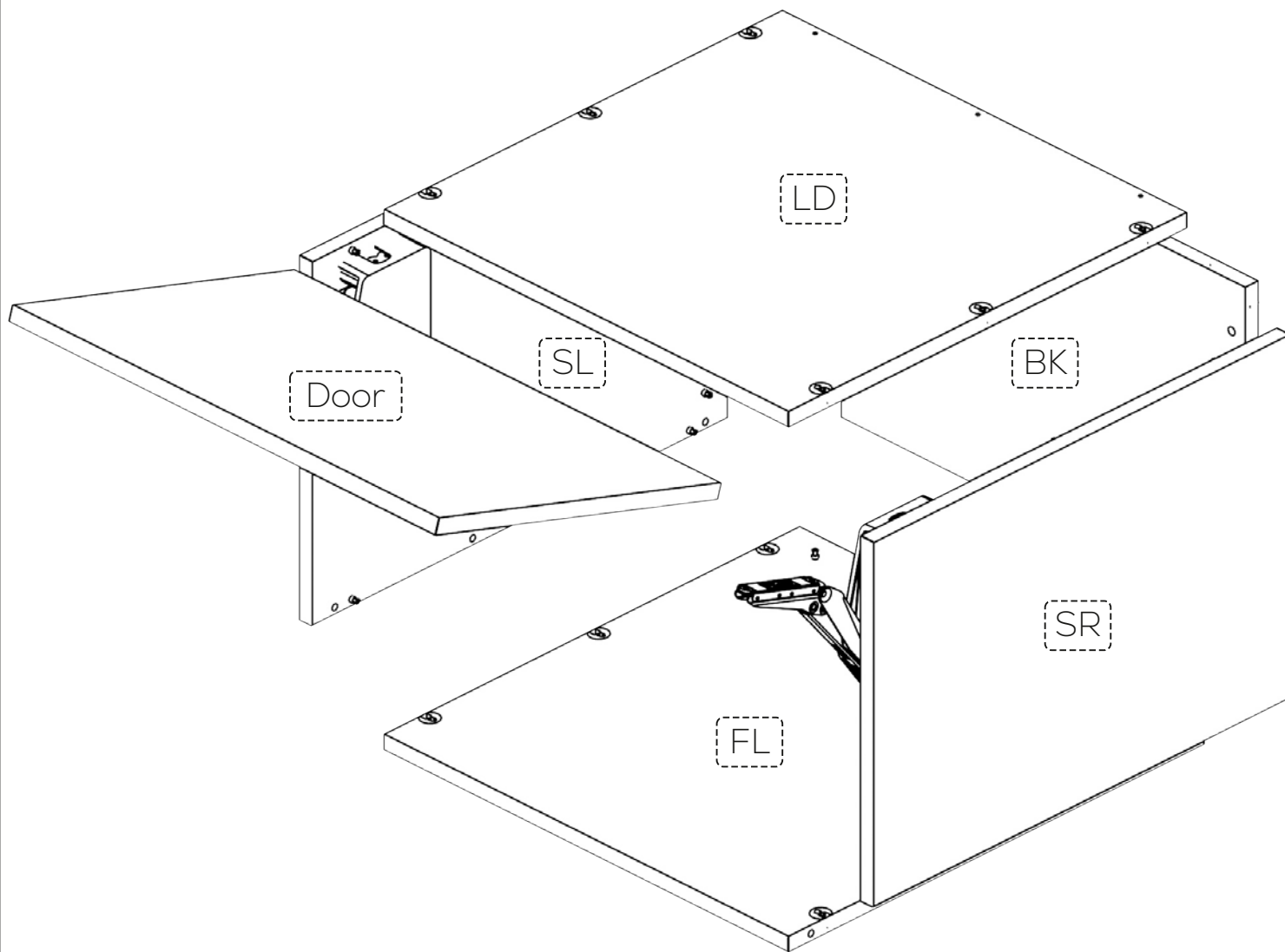
**Drawer Runners:**

Soft close runners for the drawers to glide on.

**15mm Screw:**

The shorter of the screws, used for adjustable feet and drawer runner clips

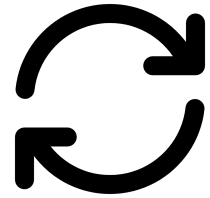
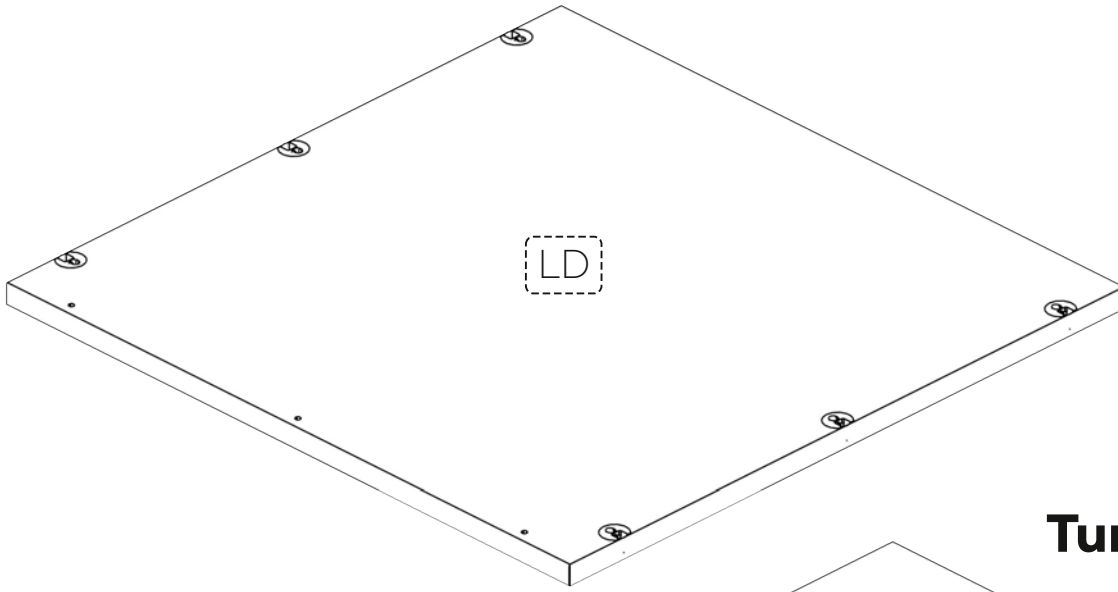
Exploded View:



- SL - Side Left
- SR - Side Right
- BK - Back Panel

- LD - Lid
- FL - Floor
- Door - Door

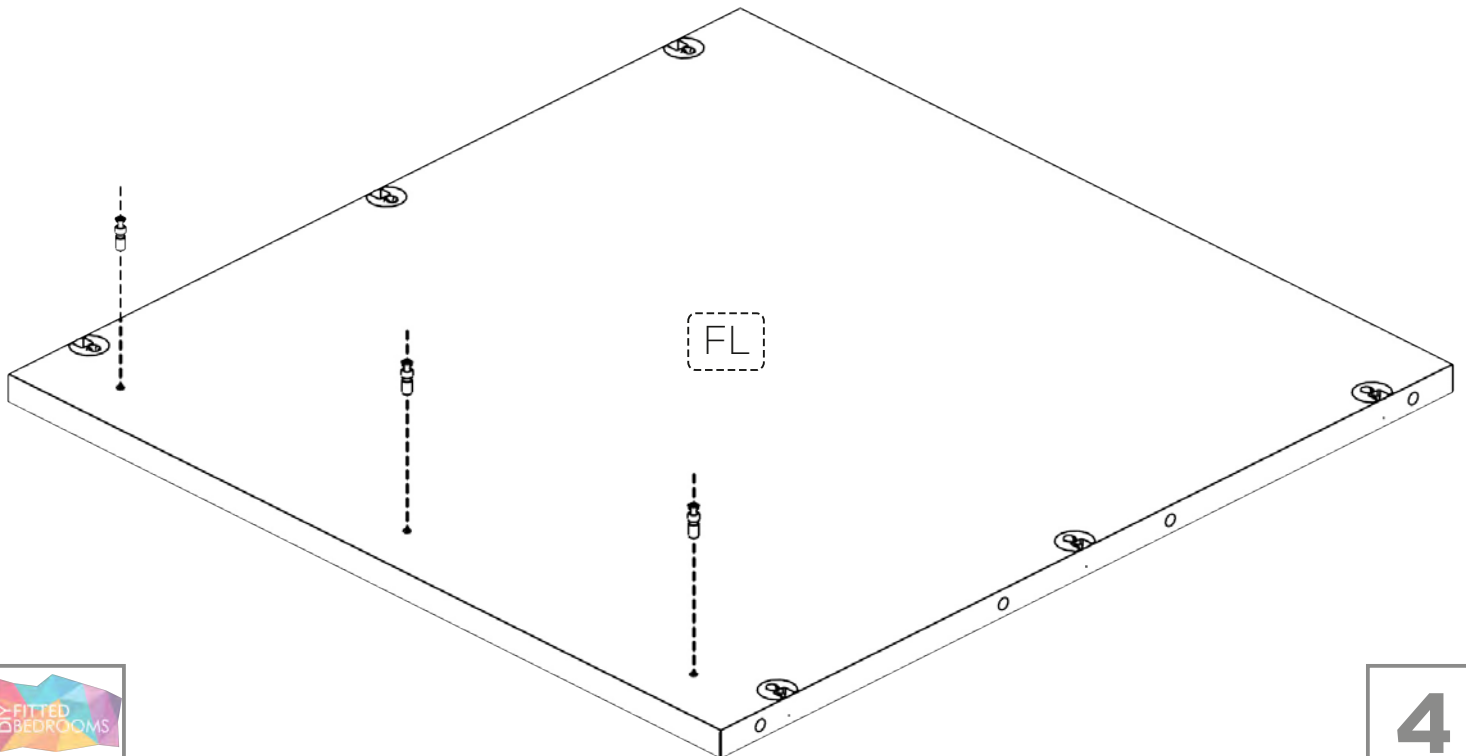
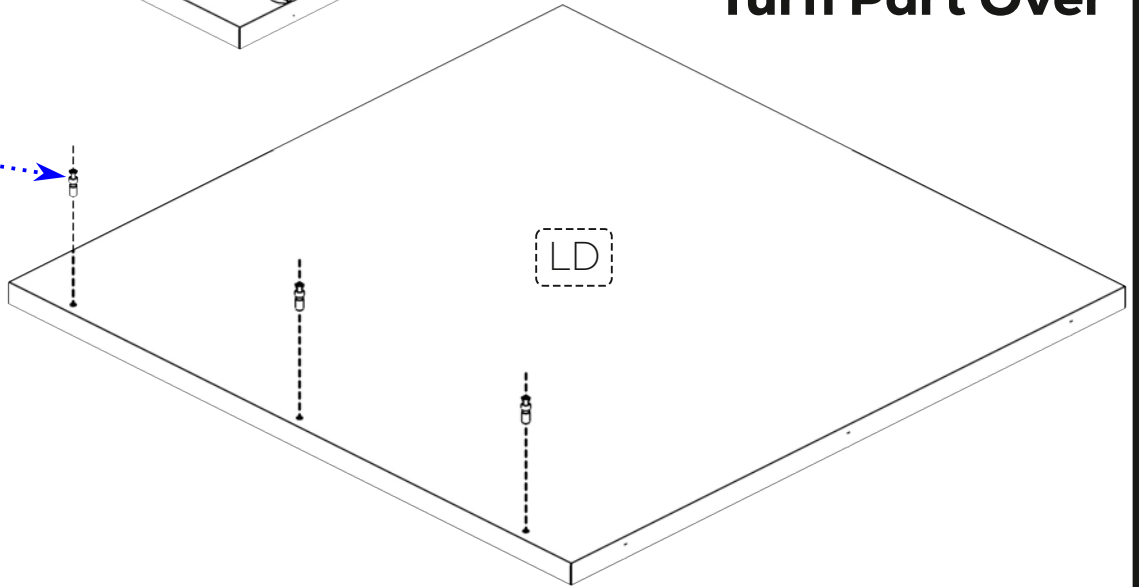
Panel Preparation - Lid and Floor:



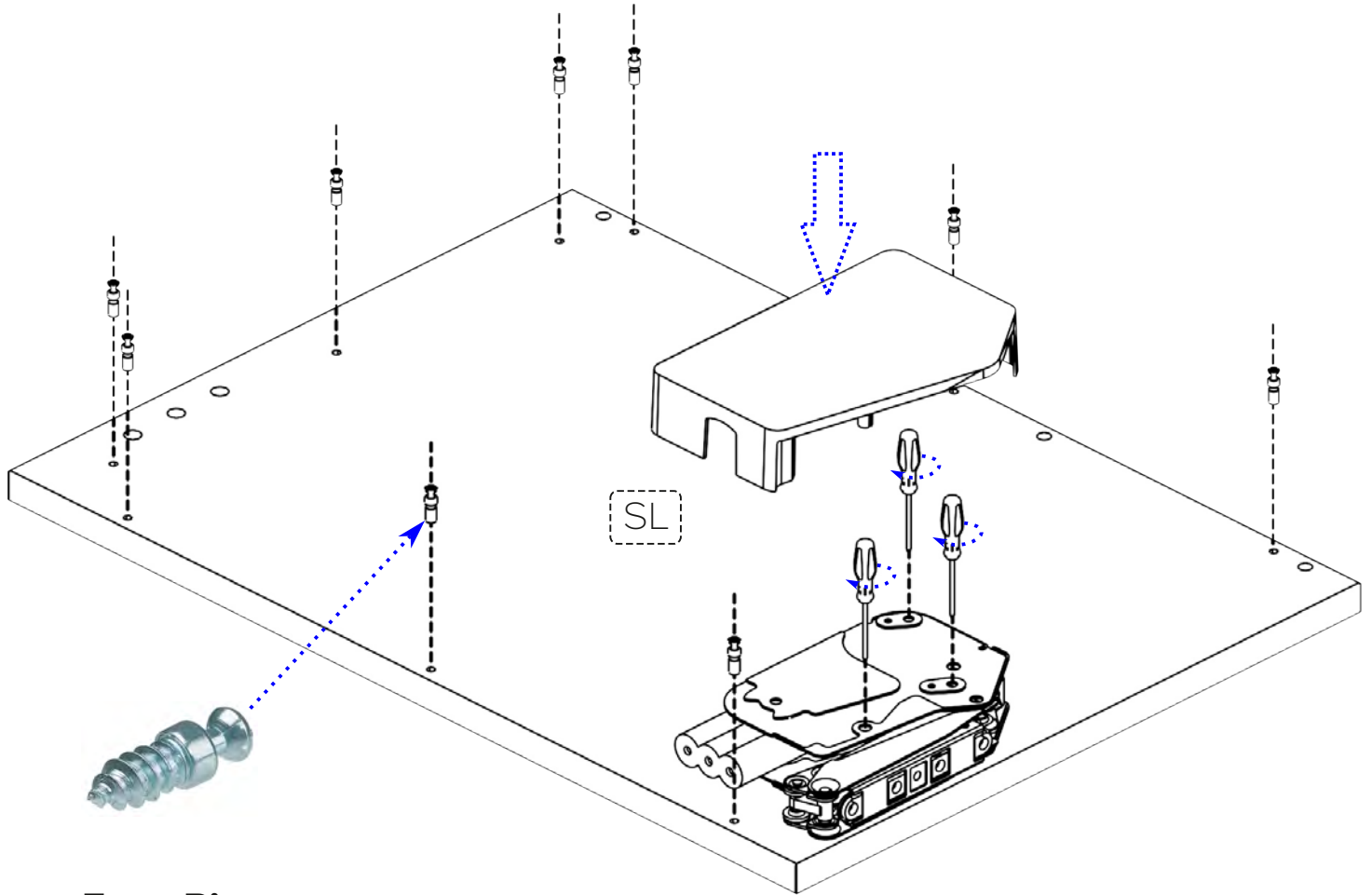
Turn Part Over



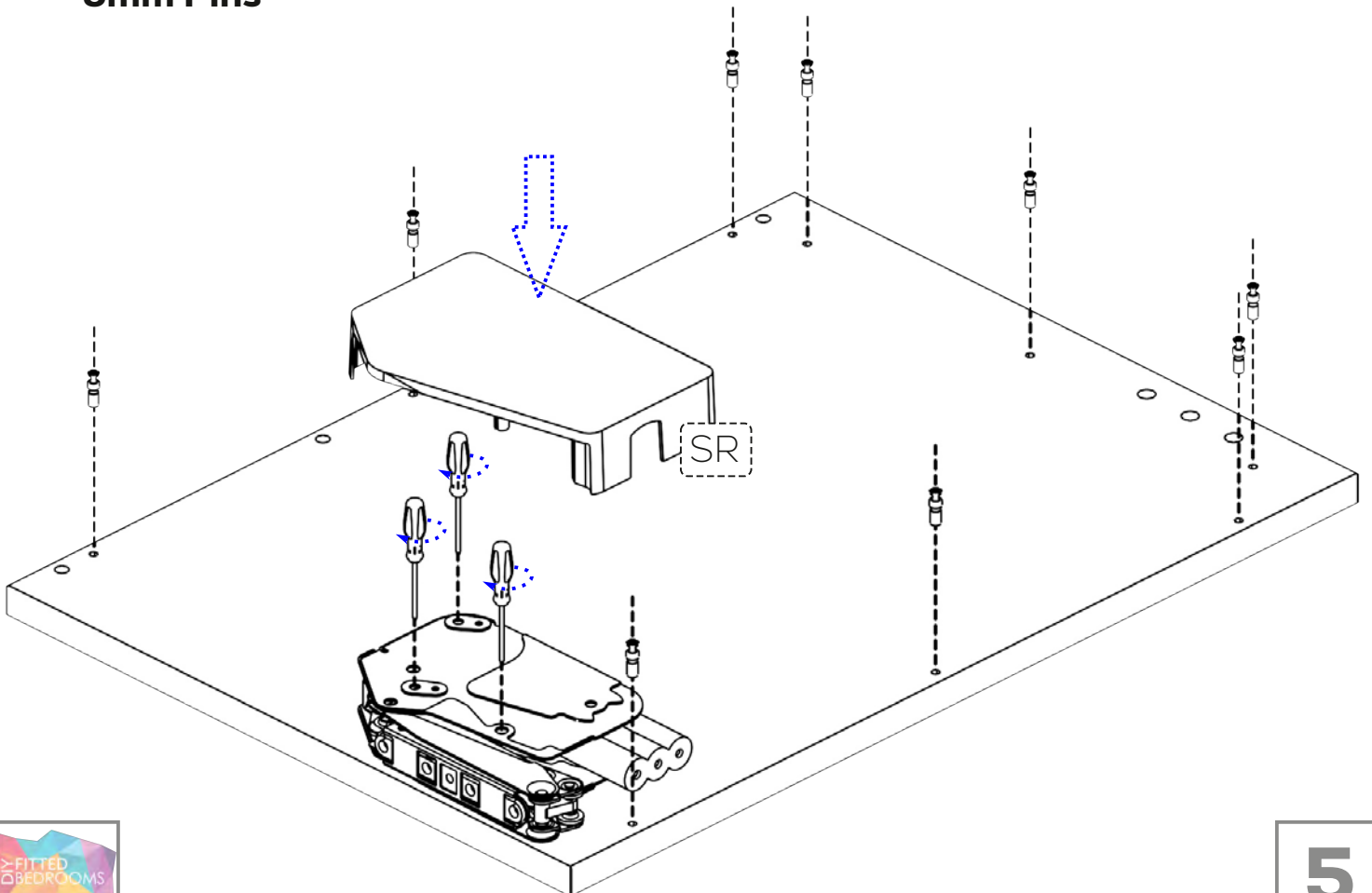
5mm Pins



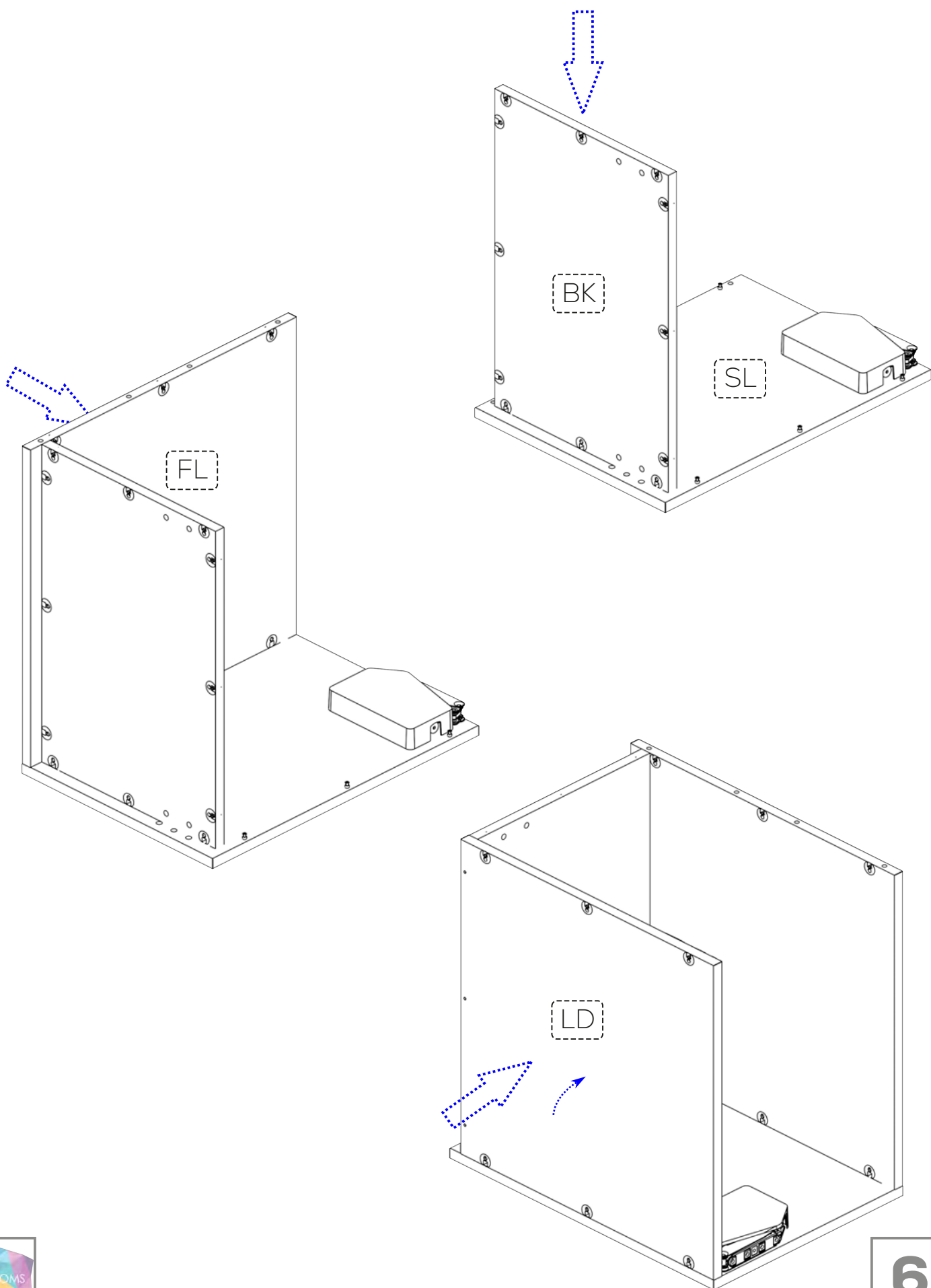
Panel Preparation - Side Panels:



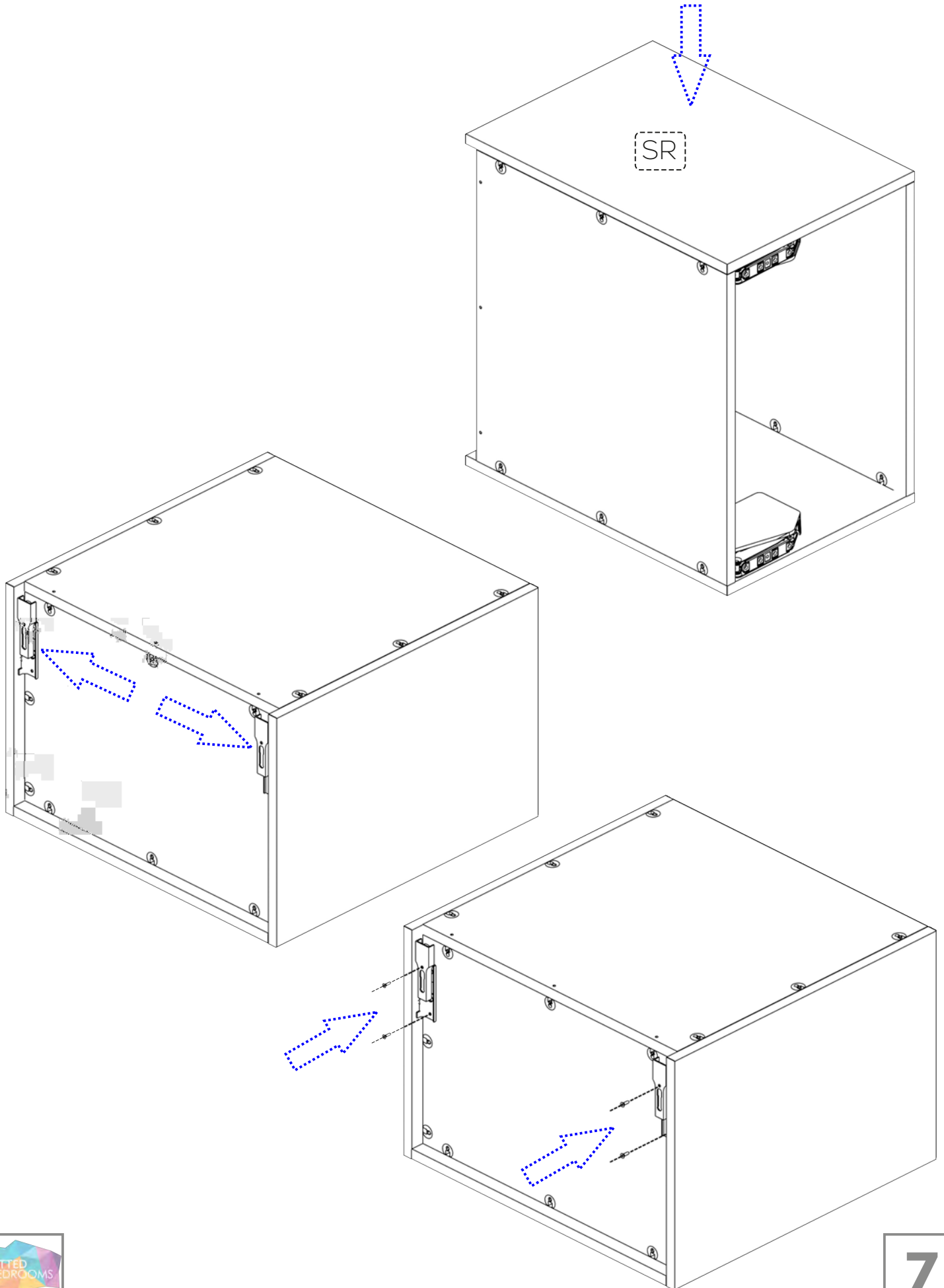
5mm Pins



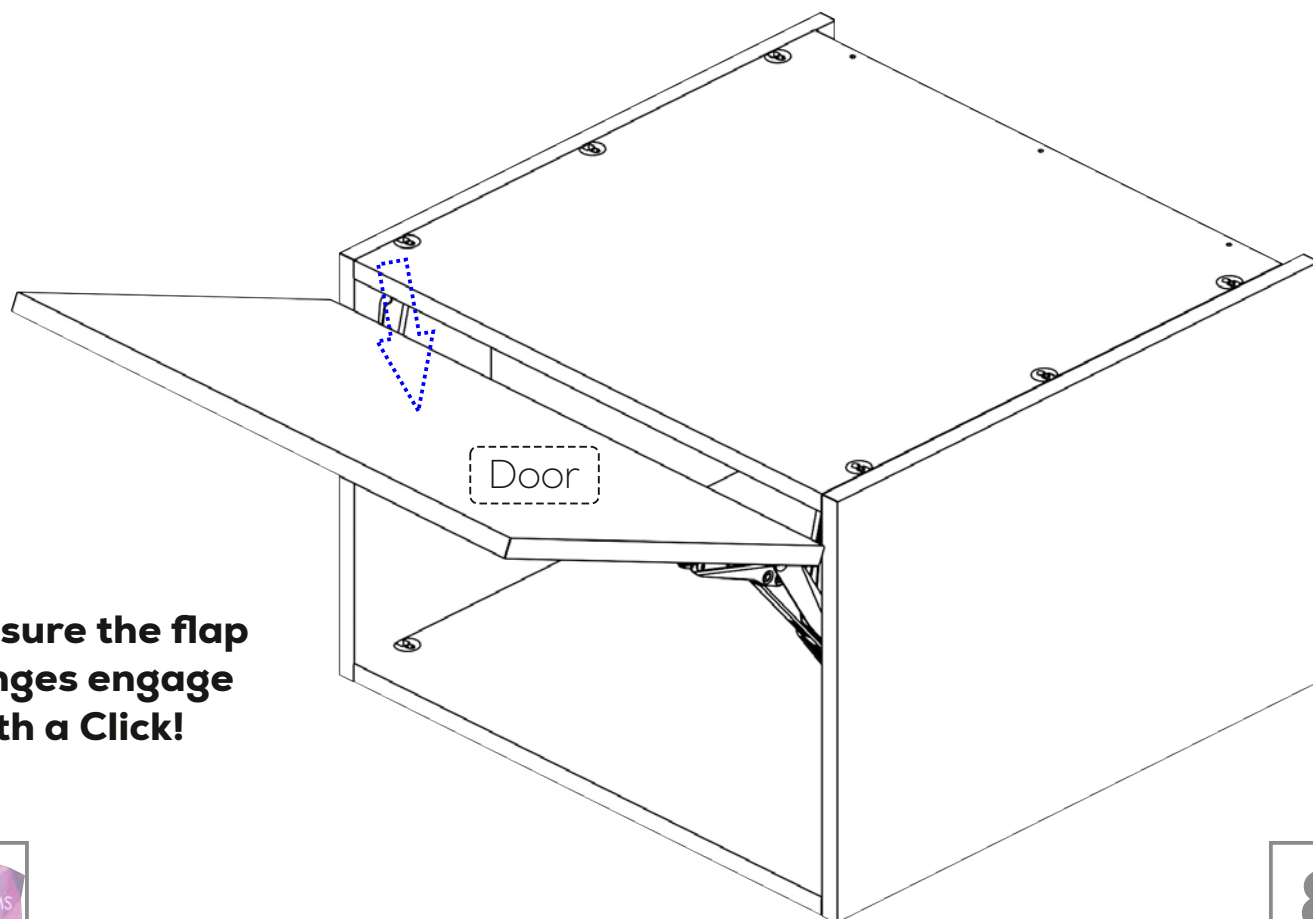
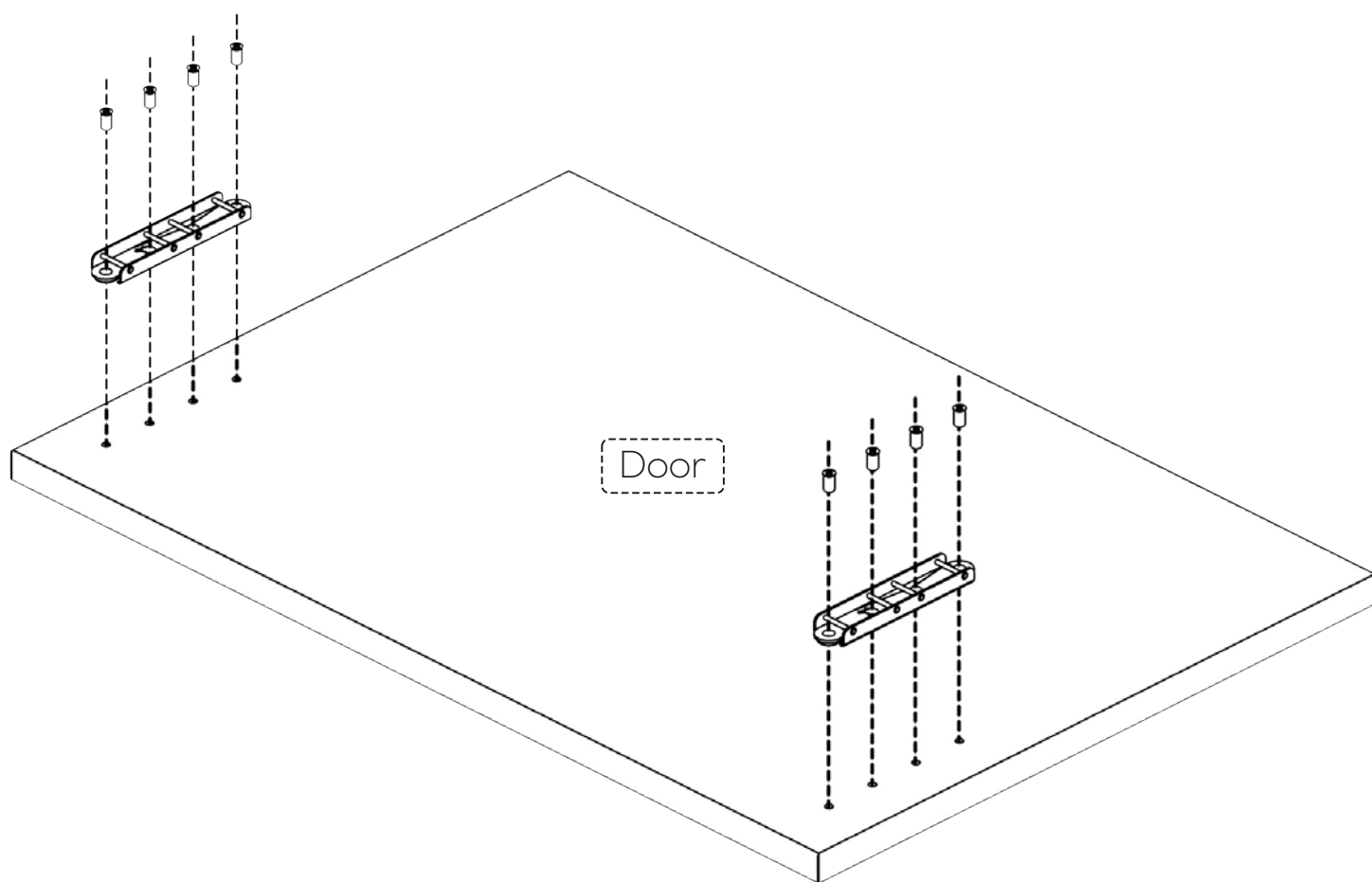
Assembly:



Assembly:



Doors:



Ensure the flap hinges engage with a Click!